

# VOLKSWAGEN CADDY MAXI *F-Style 3*



**SPACE AND COMFORT** Thanks to the lowered-floor kit by Focaccia Group, **Caddy Maxi F-Style 3** can accommodate a total number of **7 passengers** or **5 passengers and 1 person in wheelchair**. The manual ramp with practical handles allows an easy access to the car for the wheelchair passenger, who travels in a wide and comfortable space.

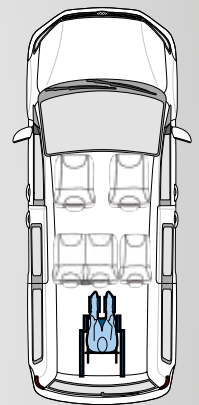
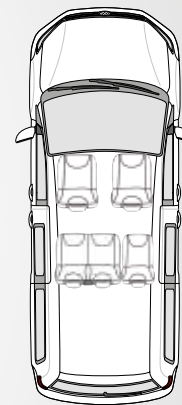
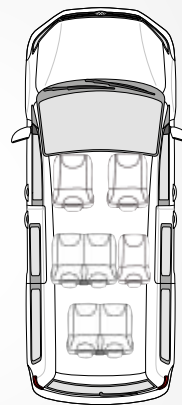
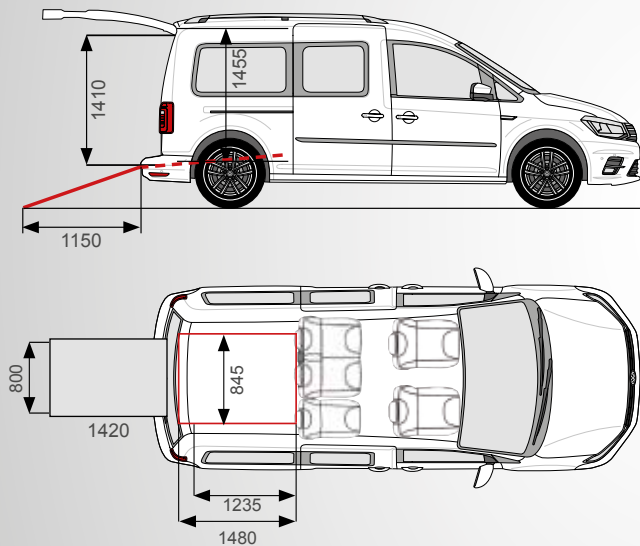
**ELEGANCE AND STYLE** Caddy F-Style 3 sets new standards of aesthetic and quality by maintaining the same design and styling of the original vehicle. **Elegance, design and attention to details** are the unique features of this new concept by Focaccia Group.

**SAFETY AND RELIABILITY** Caddy Maxi F-Style 3 has been **tested** in compliance with Directive 2007/46/EC and Regulation no.14 UN/ECE. It boasts **Whole European Type Approval**, in order to ensure maximum safety and protection for the person seated in wheelchair.



**Genius Ramp** The system allows the access ramp to be folded inside the vehicle, when the person in wheelchair is not on board, and to reach the flat position recreating the original floor. Genius Ramp is particularly suitable for taxis and for anyone who needs to use Caddy F-Style 3 for many purposes.

CADDY MAXI *F-Style 3* - TECHNICAL SPECS AND CONFIGURATIONS



**7**

**5**

**5 + 1**

Usable Internal Height **1455 mm** | Access Height **1410 mm** | Wheelchair parking area width **845 mm**  
 Wheelchair parking area length (from rear tie-down) **1235 mm** | Lowered-floor length **1480 mm** | Ramp size **1420 mm x 800 mm**

**HOMOLOGATION** Focaccia Group's homologation department is in direct contact with the main body builders and with the Italian Ministry of Transport, guaranteeing compliance with the European norms and safety criteria of the original vehicle.

**WARRANTY** Focaccia Group conversions are covered by 24 months warranty on manufacturing defects. Authorized Service Partners are available all over Europe to guarantee a timely and efficient service.

**SERVICE** Focaccia Group provides an efficient Technical Service open from Monday to Friday from 8:00 to 12:30 and from 14:00 to 17:30. You can contact us by e-mail [service@focaccia.net](mailto:service@focaccia.net) or by phone **+39 (0)544 20 23 44**. A specialized technician will take care of your inquiries.



Images shown are illustrative and for promotional purposes. Colors, shapes, dimensions and equipment may differ from those here indicated.



FOCACCIA GROUP  
AUTOMOTIVE



FOCACCIA GROUP  
COMPONENTES AUTOMOTIVOS



fiorella  
wheelchair systems

SS16 KM172 48015 CERVIA (RA) ITALY  
T +39 0544 973669 | F +39 0544 977232

INFO@FOCACCIA.NET

WWW.FOCACCIA-GROUP.CH

WWW.FOCACCIAGROUP.COM.BR

WWW.FIORELLA.WS

FOCACCIAGROUP.COM

FOLLOW US ON