



FOCACCIA GROUP
AUTOMOTIVE



OPEL COMBO *F-Style*

LONG WHEELBASE



EUROPEAN
TYPE APPROVAL



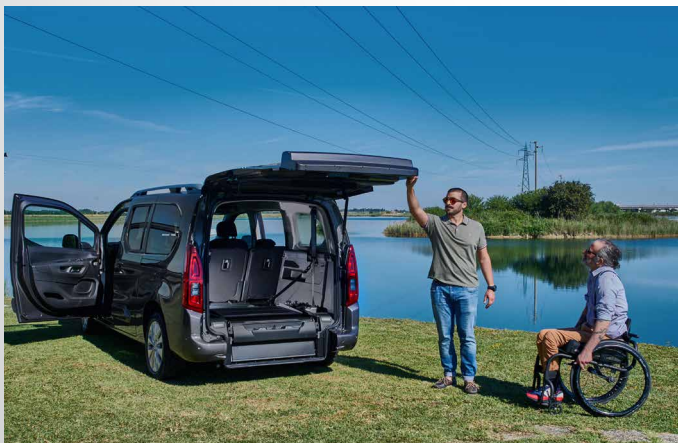
RESTRAINT
SYSTEM
APPROVED



LED LIGHTS



GENIUS RAMP



SUPERIOR ITALIAN DESIGN

The F-Style conversion is easily recognizable at first glance with features including a **Hi-Tech floor, integrated LED lights, automotive ABS interior trims.**

These exclusive upgrades are in line with the aesthetics of the original vehicle and make the travel environment refined and pleasant for all passengers.

LIGHTWEIGHT FOLDABLE RAMP

The opening and closing of the access ramp are **extremely quick and easy** thanks to a unique system developed by the Focaccia Group. An ideal solution for daily lives and, especially, for elderly.

MAXIMUM VERSATILITY: GENIUS RAMP



The Genius Ramp system allows the access ramp **to be folded inside the vehicle** and to closely resemble the original vehicle floor, when the person seated in wheelchair is not on board.

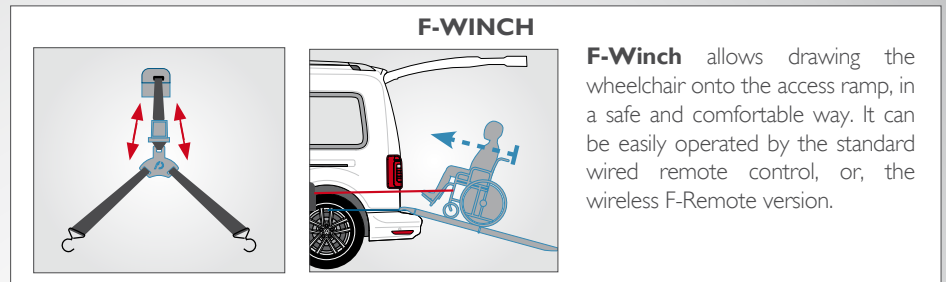
CERTIFIED QUALITY AND SAFETY

The Opel Combo F-Style has been tested and has obtained the **Whole European Type Approval.** The Focaccia Group has been awarded **PSA Groupe Quality Certification**, to guarantee superior quality standards.



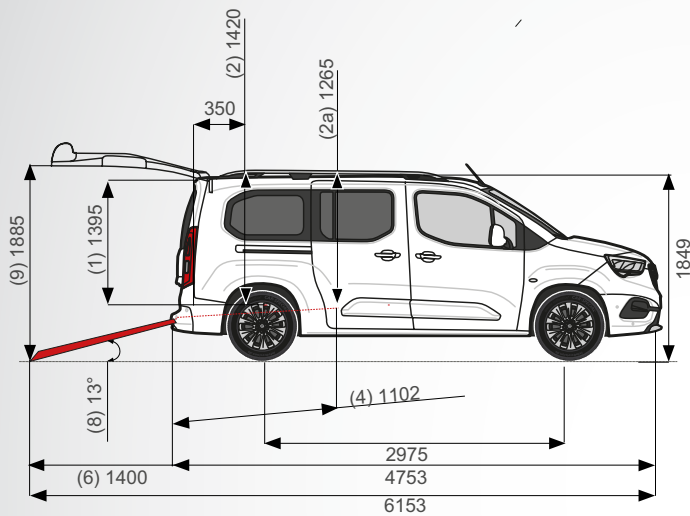
SPACE OPTIMIZATION AND FUNCTIONALITY

The Opel Combo F-Style long wheelbase accommodates **1 wheelchair user** and other **5 passengers**. Single seats in the second row can be folded down to adapt to different transportation needs. The restraint storage compartment is functional and designed to everyday use.



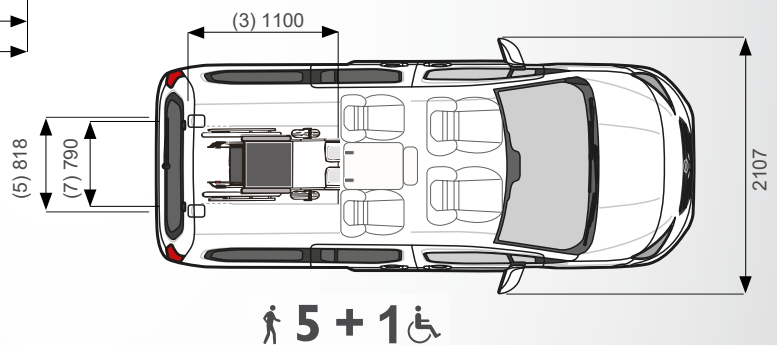
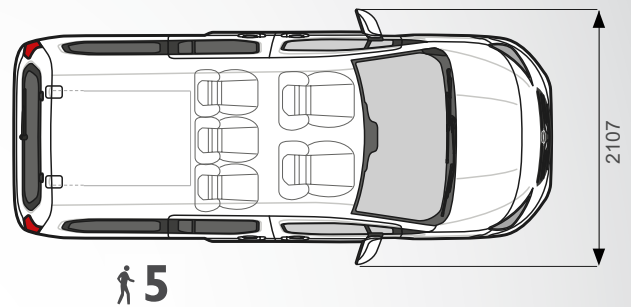
F-Winch allows drawing the wheelchair onto the access ramp, in a safe and comfortable way. It can be easily operated by the standard wired remote control, or, the wireless F-Remote version.

COMBO F-Style LONG WHEELBASE - CONFIGURATIONS AND TECHNICAL SPECS



- (1) Access Height
- (2) Useful Internal Height
- (3) Length between WTORS
- (4) Wheelchair parking area length
- (5) Wheelchair parking area width
- (6) Ramp length
- (7) Ramp width
- (8) Ramp inclination
- (9) Height of the open rear hatch

Measures are in mm



HOMOLOGATION Focaccia Group's homologation department is in direct contact with the main body builders and with the Italian Ministry of Transport, guaranteeing compliance with the European norms and safety criteria of the original vehicle.

WARRANTY Focaccia Group conversions are covered by 24 months warranty on manufacturing defects. Authorized Service Partners are available all over Europe to guarantee a timely and efficient service.

SERVICE Focaccia Group provides an efficient Technical Service open from Monday to Friday from 8:00 to 12:30 and from 14:00 to 17:30. You can contact us by e-mail service@focaccia.net or by phone **+39 (0)544 20 23 44**.



Images shown are illustrative and for promotional purposes. Colors, shapes, dimensions and equipment may differ from those here indicated.

FOCACCIA GROUP

SS16 KM172 48015 CERVIA (RA)
T +39 0544 973669

FOCACCIAGROUP.COM - INFO@FOCACCIA.NET



FOCACCIA GROUP
AUTOMOTIVE

The Focaccia Group Automotive is **UNI EN ISO 9001:2015** certified and has obtained the certification for production of vehicles in series from the Italian Ministry of Infrastructure and Transport. The Focaccia Group is a partner of important associations such as **ANFIA** (National Association of the Automotive Industry), **CUNA** (Technical Commission for Standardization in Vehicles), **EMG** (European Mobility Group) and **OECVA** (Overseas and European Vehicle Converters Association).